

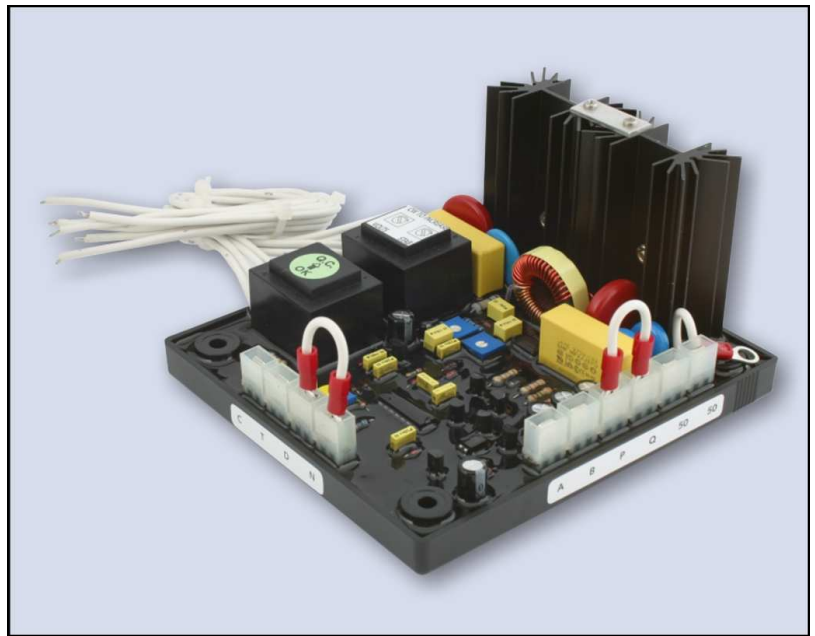
EA42-7

**Self Excited Automatic Voltage Regulator
Compatible with Basler* Model AEC42-7
For Use In Generators With Separate
Power Windings**

Features

- $< \pm 1\%$ Regulation
- Over Excitation Automatic Shut Down
- For Use In Parallel Operation
- EMI Suppression
- Under Frequency Protection
- Soft Start Voltage Ramping

* Use for reference purpose only, not a genuine Basler product



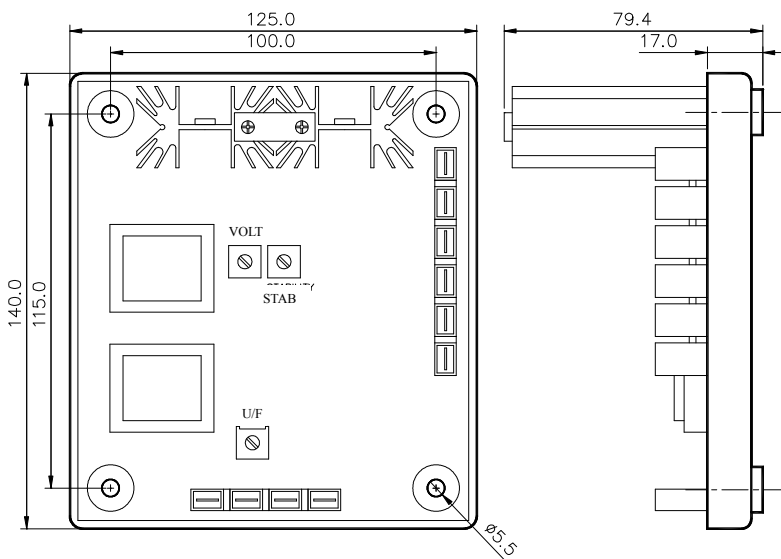
Specifications

Sensing Input	Voltage	220 ~ 252 VAC $\pm 10\%$, 1 phase 2 wire	External Volts Adjustment	$\pm 10\%$ with 1 K Ω 1 watt trimmer
	Frequency	50 / 60 Hz selectable	Voltage Adjustable Range	180 ~ 277 VAC
Power Input	Voltage	220 ~ 260 VAC $\pm 10\%$, 1 phase 2 wire	Unit Power Dissipation	Max. 20 watt
	Frequency	50 / 60 Hz	Under Frequency Protection	60 Hz system presets knee point at 55 Hz 50 Hz system presets knee point at 45 Hz
Output	Voltage	Max. 42 VDC	Over Excitation Shutdown	Field volts shut down after a time delay If exciter field volts exceed 52 ± 2 VDC
	Current	Continuous 7A Intermittent 15A for 10 sec.	EMI Suppression	Internal Electromagnetic Interference Filtering
	Resistance	Min. 6 Ω , Max. 105 Ω		
Thermal Drift	0.05% per $^{\circ}\text{C}$ change in AVR ambient			

Environment

Vibration	1.5 G @ 5 ~ 30 Hz 5.0 G @ 30 ~ 500 Hz	Relative Humidity	$< 95\%$
Operating Temperature	-40 ~ 60 $^{\circ}\text{C}$	Storage Temperature	-40 ~ 85 $^{\circ}\text{C}$

Mechanical Specifications



AVR Controls	Function
VOLT	Voltage Adjustment
STAB	Stability Adjustment
U/F	U/F* Knee Point Set
*U/F: Under Frequency protection	

Physical Specifications	
Dimensions	140.0 (L) x 125.0 (W) x 79.4 (H) mm
Weight	680 g $\pm 2\%$
Shock	Withstands up to 20G in each X, Y, Z

Please link to <http://www.kutai.com.tw> for detailed manual.