

# EA350

## Self Excited Automatic Voltage Regulator Compatible with\*Marathon SE350 & Basler AVC 63-4D

### Features

- $< \pm 1\%$  Regulation
- Optional 120 / 240VAC\*\* Sensing Input Switch
- 50 / 60 Hz Selectable
- Under Frequency Protection
- Built-in High Breaking Capacity Fuse
- EMI Suppression



\*Use for reference purpose only, not a genuine Basler or Marathon product.

\*\* SE350 and AVC 63-4D only fits 220 VAC Generators, and do not have fuse protection.

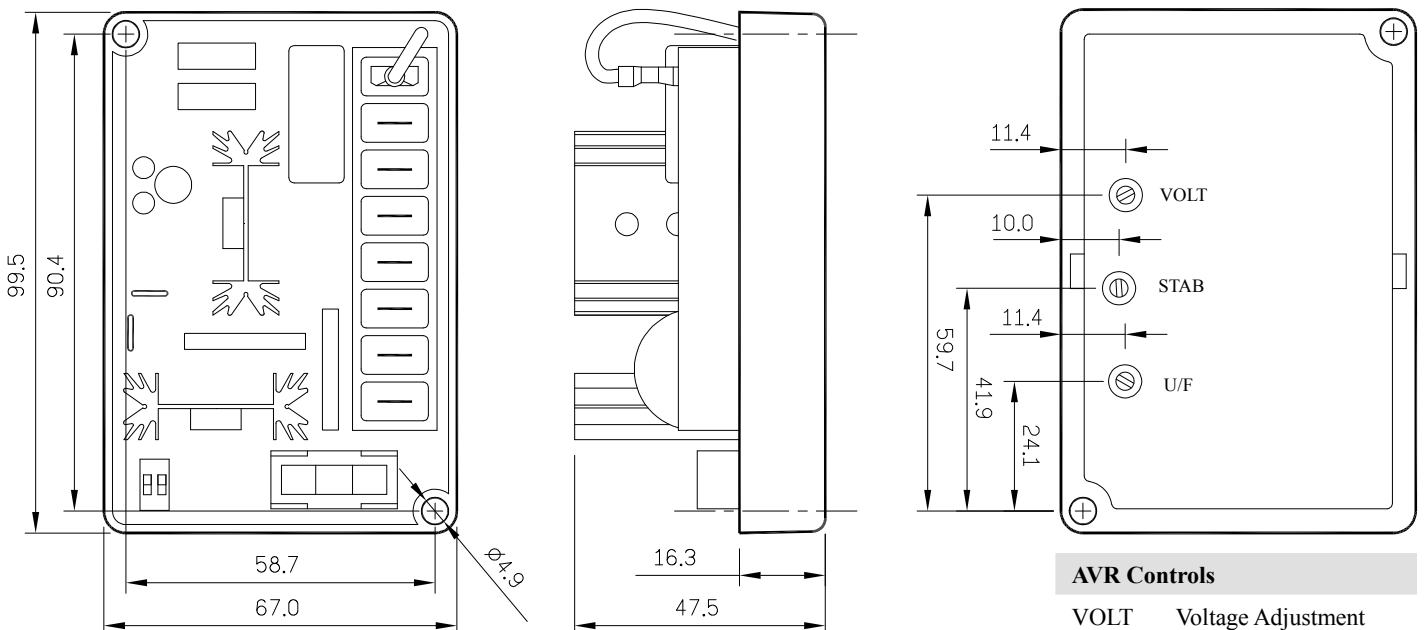
### Specifications

Sensing & Power Input	Voltage	120 (90 ~ 132) / 240 (171 ~ 264) VAC	External	Voltage	$\pm 5\%$ @ 1 K $\Omega$ 1 Watt $\pm 10\%$ @ 2 K $\Omega$ 1 Watt
		Dip switch selectable			
	Frequency	50 / 60 Hz selectable	Unit Power Dissipation		Max 8 Watt
Output	Voltage	Max 37 VDC @ 120 VAC input Max 74 VDC @ 240 VAC input	EMI Suppression		Internal electromagnetic interference filtering
	Current	Continuous 4A Intermittent 7A for 60 sec	Under Frequency protection (UFRO)		60Hz system presets knee point at 55 Hz* 50Hz system presets knee point at 45 Hz* (*Factory Setting)
Voltage Regulator Rate		$< \pm 1\%$ (with 4% engine governing)	Dimensions		99.5 (L) x 67.0 (W) x 47.5 (H) mm
Voltage Build		Residual volts at AVR terminal $> 3.5$ VAC	Weight		185 g $\pm$ 2%

### Environment

Mechanical Vibration	1.3G @ 5 ~ 26 Hz	5.0G @ 52 ~ 1000 Hz	Relative Humidity	$< 95\%$
Operation Temperature	-40 ~ 60°C		Storage Temperature	-65 ~ 85°C

### Mechanical Specifications



#### AVR Controls

VOLT	Voltage Adjustment
STAB	Stability Adjustment
U/F	UFRO Knee Point Set