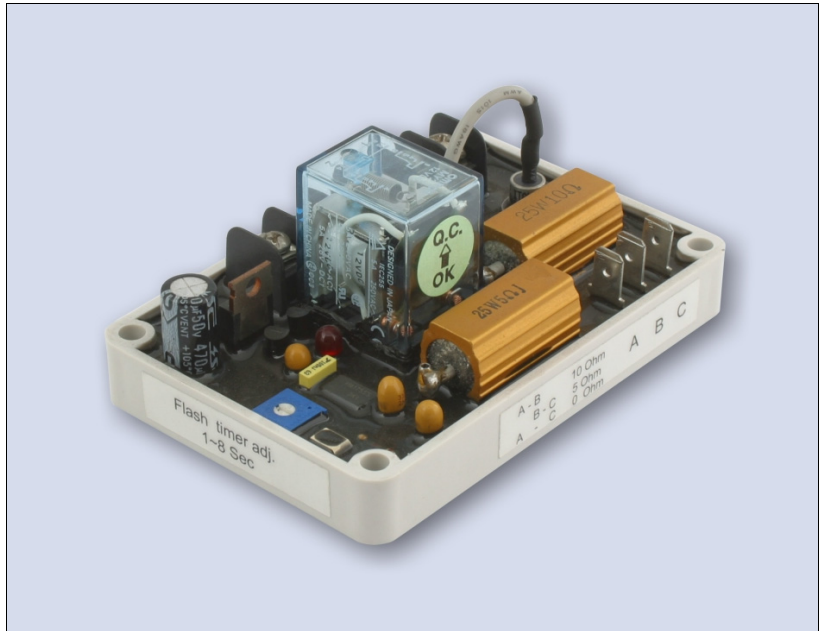


EB500

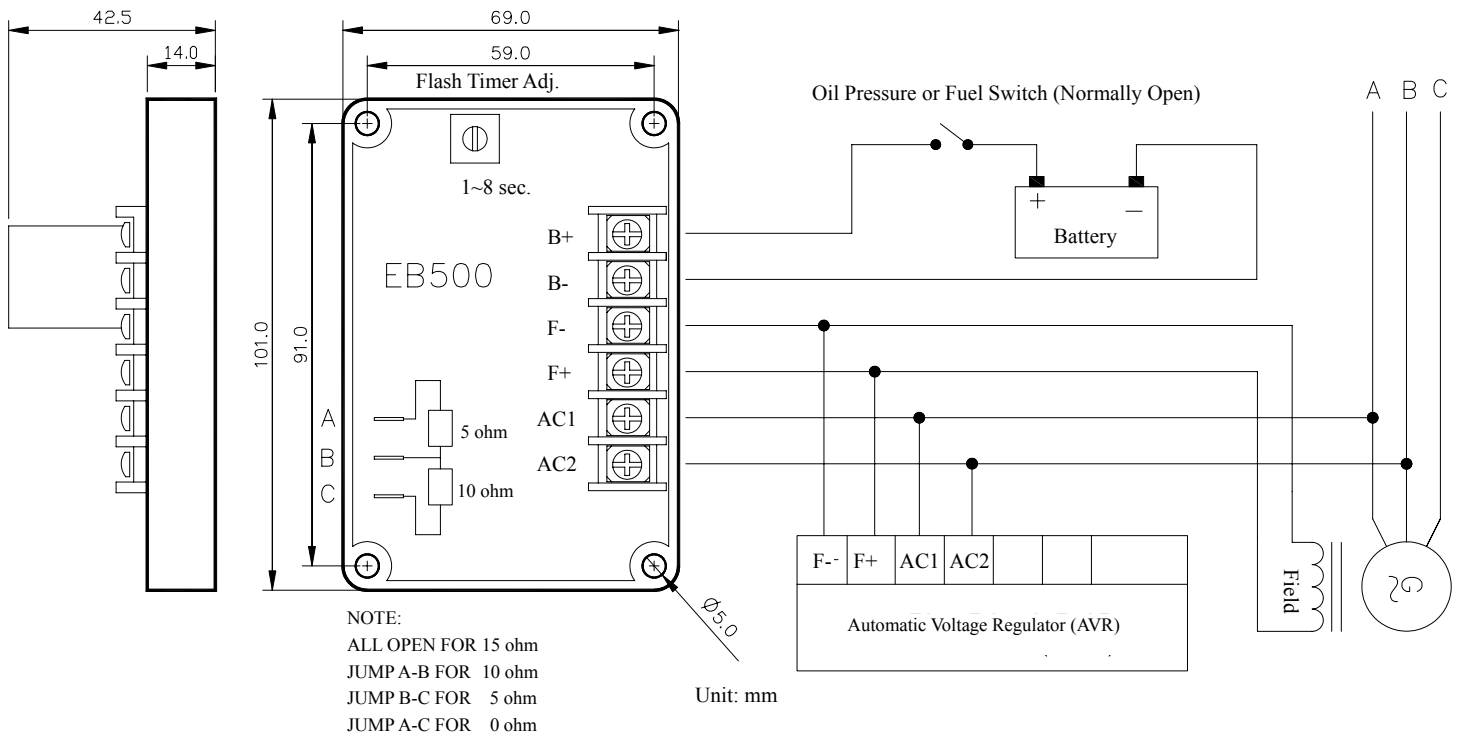
1 Shot Auto Flash Module Generator Voltage Build Up Latching Relay

Specifications

Input Voltage	DC 10 – 30 VDC
Sensing Voltage	AC 120/240 VAC
Flash Time	1-8 sec. (adjustable)
Trigger Contact	Oil Pressure or Fuel Sensor
Resistance	0,5,10,15 ohm select by jumper
Protection	Reverse Current Protection

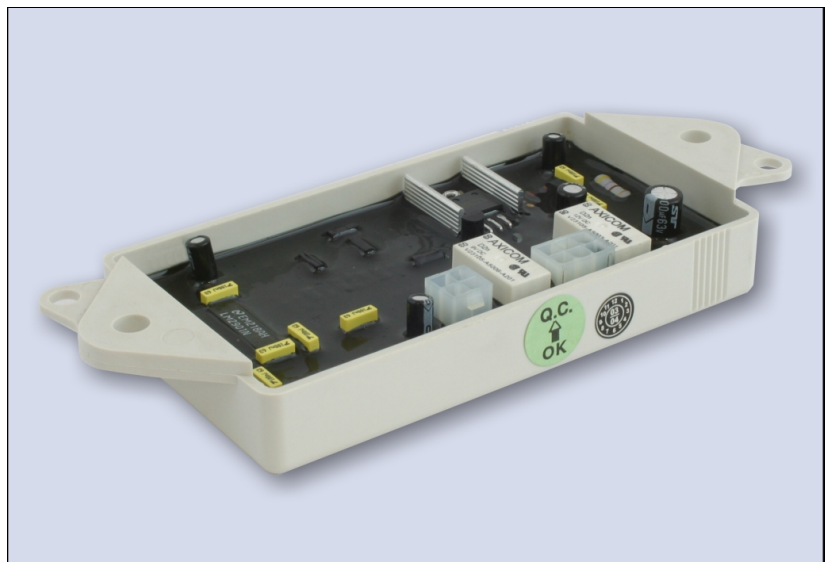


Wiring Diagram



ED35

Welder Generator Accessory Denyo * ND-30 & ND-35 Compatible Design for Denyo 280SS Generator



*Use for reference purpose only, not a genuine Denyo product