

# EA03A

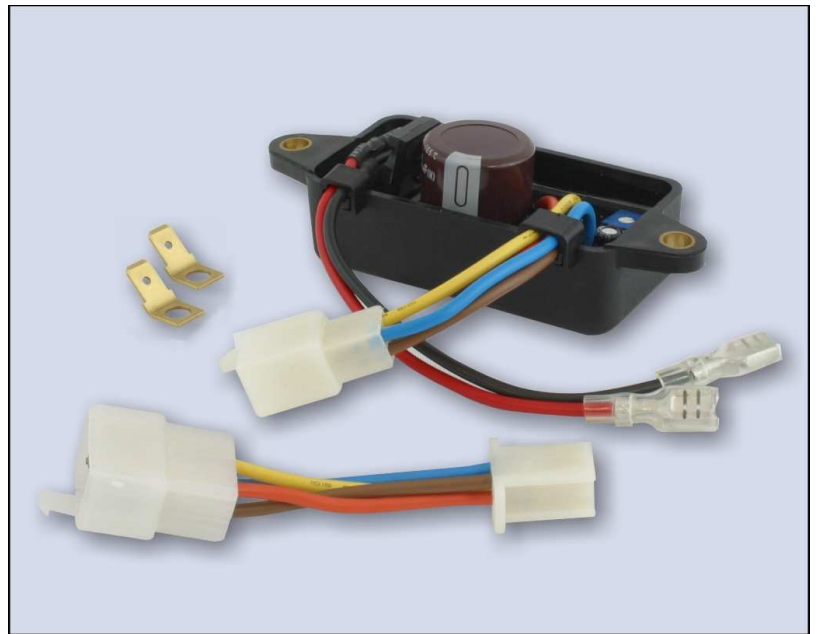
## Self Excited Automatic Voltage Regulator Designed For Denyo\* & Gasoline Generators

### Features

- $< \pm 2\%$  Regulation
- For Use In 50/60hz Generators
- Adjustable Output Voltage\*\*
- Compatible With Many Different Models by Adapter Plug
- Economical Compact Design
- Single Phase Voltage Sensing

\* For reference purpose only, not a genuine Denyo\* product

\*\* The output voltage of the original AVR is not adjustable



### Specifications

<b>Sensing Input</b>	Voltage	18 ~ 22 VAC, 1 phase2 wire
<b>Power Input</b>	Voltage	60 ~ 90 VAC, 1 phase2 wire
<b>Excitation Output</b>	Voltage	5 ~ 85 VDC
	Current	Continuous 3A, Intermittent 4A for 60 sec
	Resistance	Min. 25 $\Omega$

<b>Voltage Regulation</b>	$< \pm 2\%$ (within 4% engine governing)
<b>Voltage Build Up</b>	Residual volts at AVR terminal $> 1$ VAC
<b>Voltage Adjust Range</b>	110 VAC $\pm 15\%$
<b>Thermal Drift</b>	0.05% per $^{\circ}\text{C}$ change in AVR ambient

### Environment

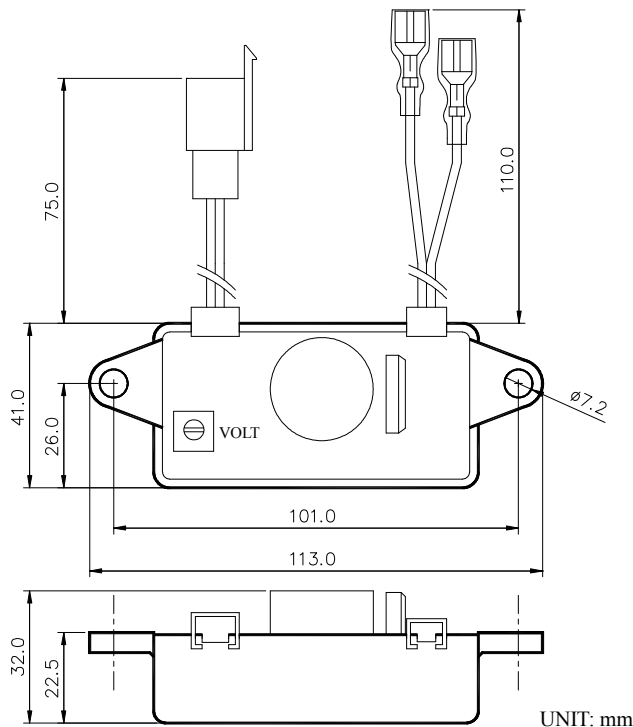
**Vibration** 1.5G @ 5 ~ 30 Hz 5.0G @ 30 ~ 500 Hz

**Relative Humidity**  $< 95\%$

**Operating Temperature**  $-40 \sim 60^{\circ}\text{C}$

**Storage Temperature**  $-40 \sim 85^{\circ}\text{C}$

### Mechanical Specifications



### Applicable Modules

Brand	Type
KUBOTA Low Boy	GL6500S
YAMAHA	EDL6500S
HONDA	EP-1800、EP-2500
KAWASAKI	GE-1400、GE-2200 GA-2300、GA-2900
SUZUKI	SV-1400L、SV-1400LD SV-2200L、SV-2200LD
SAWAFUJI	SH-1800、SH-2600
MARUYAMA	ME-1800、ME-2600
ELEPAQ	PH-1800、PH-2600

### Physical Specifications

Weight	41.0 (L) x 113.0 (W) x 32.0 (H) mm
Dimensions	109 g $\pm 2\%$

Please link to <http://www.kutai.com.tw> for detailed manual