

BTS3BE0225

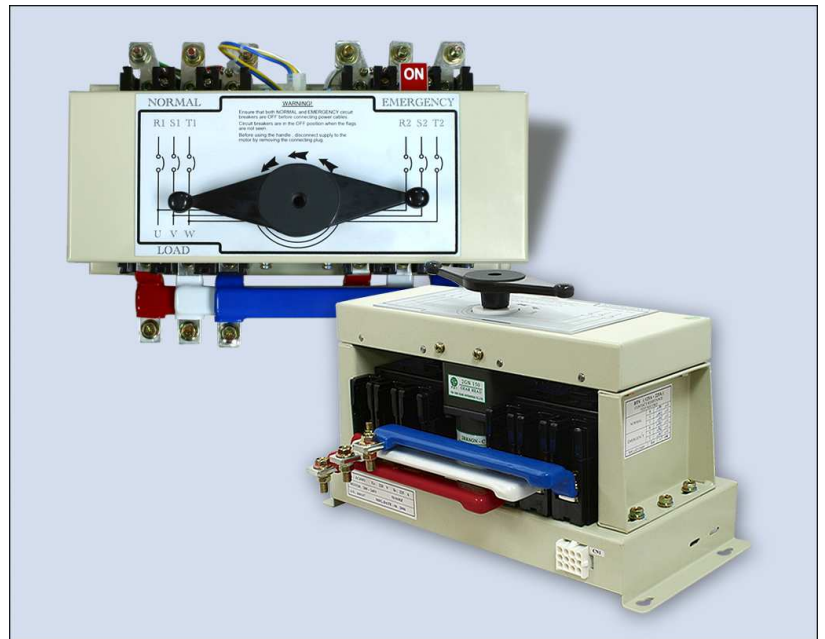
BTS4BE0225

MCCB Type Transfer Switch

Rated Current 125~225A Voltage 100~600VAC

Features

- High Short Circuit Breaking Capacity
- Incorporate OCPD* Design
- Complies with IEC60947-6 requirements**
- MCCB Has Auxiliary Limit Switch Inside
- Reliable Motor-Operated Transfer Mechanism
- Molded Insulating Manual Handle
- PVC-Coated Bus Bar > 3KV Insulation
- With Mechanical Interlock
- Includes Plug-in Connector, For Simple Hook-up to Controller

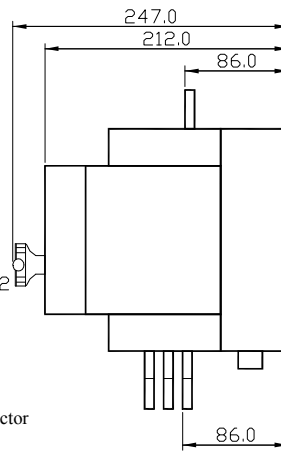
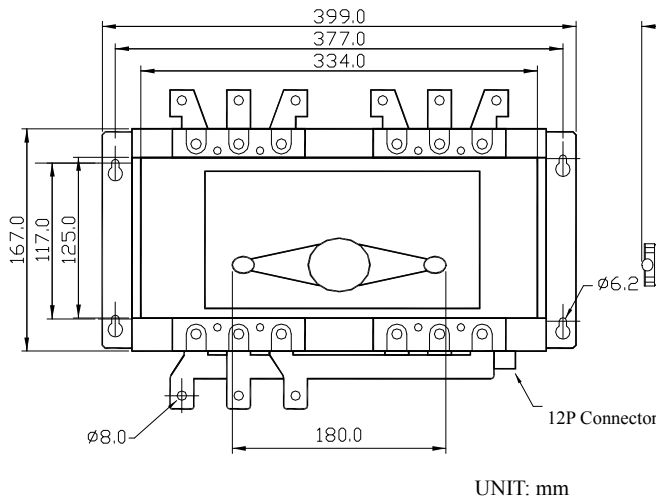


BTS Rated Operating Current & AC Rated Breaking Capacity

BTS Type	Pole	Rated Current(A)						AC Rated Breaking Capacity					
		Ambient Temperature 40°C						Sym r.m.s(KA)					
		125	150	175	200	225	240V	380V	415V	440V	500V	690V	
BTS3BE0225	3P	125	150	175	200	225	25	18	15	15	10	-	
BTS4BE0225	4P	125	150	175	200	225	50	35	25	25	22	8	

*For special high breaking capacity requirements, please contact us.

Mechanical Specifications



3P 225A

*OCPD :

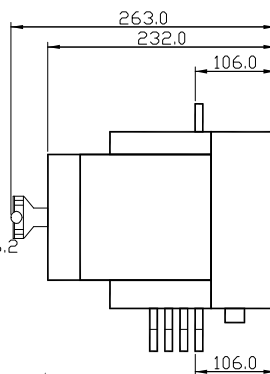
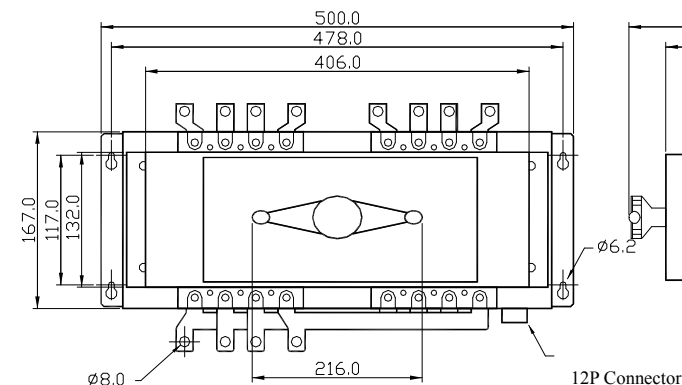
Over Current Protection Device

**IEC60947-6 Class CB :

ATS provided with over current trip and the main contacts of which are capable of making and are intended for breaking short circuit currents.

**IEC60947-6 Utilization Category AC-33A :

1. Frequent operations.
2. Motor loads or mixed loads including motors, resistive loads and up to 30% incandescent lamp.



4P 225A

*Customized BTS Available :

Please provide the required specification and specified MCCB type (if there is any), we will evaluate the mechanical capability for customers.

Please link to <http://www.kutai.com.tw> for detailed manual.



KUTAI ELECTRONIC CO., LTD.

ISO 9001
BSMI